

Technical Characteristics

Main Data

Output	350 hp/261 kw	Jaw open.	Ca. 1,300 x 800 mm
---------------	---------------	------------------	--------------------

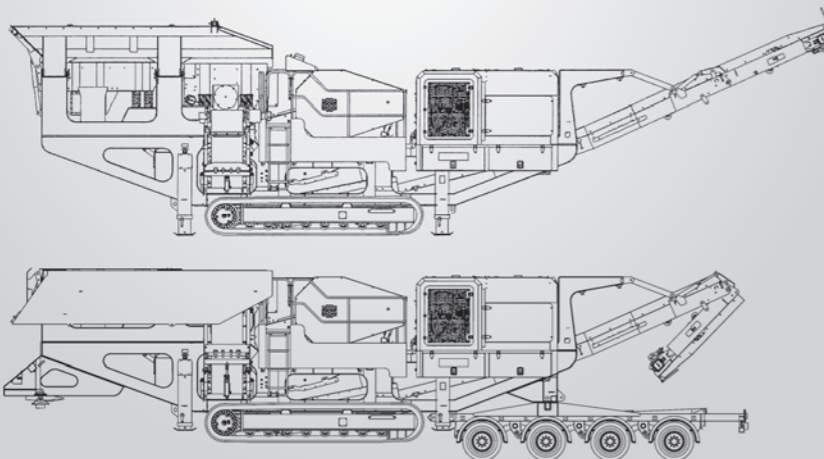
Dimensions and Weights

Transport width	3.0 m	Working width	5.15 m
Transport length	15.5 m	Working length	16.9 m
Transport height	3.85 m	Working height	4.4 m
Transport weight	Ca. 54,000 kg	Operating weight	Ca. 50,000 kg

Optional Accessories

Overbelt magnetic separator	Dust suppression with water pump
Belt weigher	Elevated hopper walls
Speed control device on conveyor belt	Radio remote control for crawler tracks

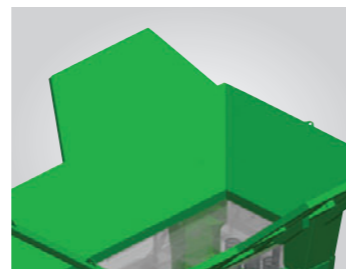
Technical Drawing



Belt weigher



Water sprayer



Hopper extension to 10 m³

Trackmobile Crusher
with Separate, Active Scalper
and Bogie Undercarriage



*Quality, durability, and performance
at an exceptional price.*



The ENDERS C 1300 is a compact single toggle jaw crusher on tracks designed to be used in a wide variety of applications.

Whether it is crushing natural stone every day in a quarry or handling construction waste at a recycling center, the ENDERS C 1300 is the ideal tool for the job.

In detail: Highlights include an active scalper with independent oscillation and fully hydraulic crusher gap adjustment.

The exceptionally high discharge height of the main conveyor belt (4.20 m) and the hydraulic folding and telesco-

ping side belt (2.60 m), as well as the large crusher inlet, make the machine a very powerful piece of equipment.

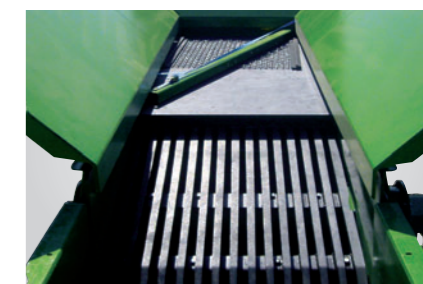
The wide inlet and increased hopper volume of 7 m³ ensure high intake quantities at a very reasonable purchase price and low operating costs.

The robust deflection plate minimizes jams and damage to the conveyor belt for smooth, economical, and reliable operation, while a fill-level sensor monitors the crushing area.

Setup times are short and the components can be easily accessed, thanks to the open, maintenance-friendly design.

The engine, a CAT C9 diesel rated to 350 hp (261 kW), is also as powerful as it is efficient, and the tracked undercarriage, which can move the vehicle at up to 1.5 km/h, is enhanced with a 4-axle dolly for road transport.

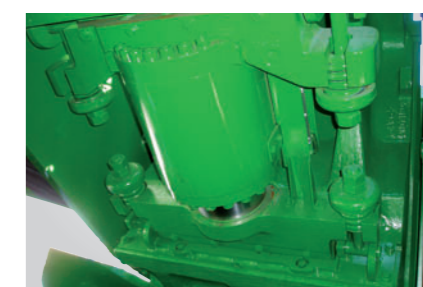
Hydraulic feed hopper with a capacity of 7 m³, a variable-speed vibration feeder, and a separate, active scalper



Crusher inlet ca. 1,300 x 800 mm



Hydraulic toggle system (without pressure plate)



Main conveyor belt with 4.20 m discharge height and hydraulic folding and lowering



4-axle dolly system for road transport

