

Technical Characteristics

Main Data

Output	225 hp/166 kw	Jaw open.	Ca. 1,016 x 610 mm
---------------	---------------	------------------	--------------------

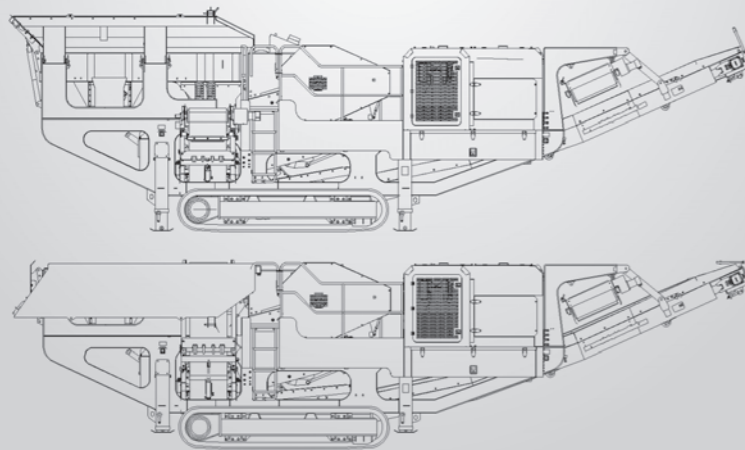
Dimensions and Weights

Transport width	2.50 m	Working width	3.85 m
Transport length	12.70 m	Working length	12.75 m
Transport height	3.20 m	Working height	3.70 m
Transport weight	31 tons	Operating weight	31 tons

Optional Accessories

Overbelt magnetic separator	Dust suppression with water pump
Belt weigher	Elevated hopper walls
Speed control device on conveyor belt	Radio remote control for crawler tracks

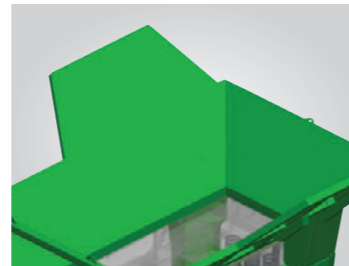
Technical Drawing



Belt weigher



Water sprayer



Hopper extension

Compact Trackmobile Crusher



Best overall value in the 30-ton class thanks to quality, durability, and high performance



The ENDERS C 1000 is a compact single toggle jaw crusher on tracks designed to be used in a wide variety of applications.

Whether it is crushing natural stone every day in a quarry or handling construction waste at a recycling center. The ENDERS C 1000 is the compact alternative with low operating costs.

At a glance: The feed hopper with variable-speed vibration feeder has a capacity of 5.4 m³. Discharge height measures 3.05 meters for the main conveyor belt and 2.10 meters for the hydraulic side belt.

The CAT C6.6 diesel engine rated to

225 hp is also as powerful as it is efficient.

The robust deflection plate minimizes jams and damage to the conveyor belt for smooth, economical, and reliable operation, while a fill-level sensor monitors the crushing area.

Setup times are short and the components can be easily accessed, thanks to the open, maintenance-friendly design.

The tracked undercarriage can move the vehicle at brisk speeds of up to 1.5 km/h. Compact dimensions enable economical standard transport.

The robust, user-friendly control

unit ensures easy operation and monitoring of all machine parameters.

Hydraulic feed **hopper** with a capacity of 5.4 m³ and a variable-speed vibration feeder



Crusher inlet approx. 1,016 x 610 mm



Adjustable **plate** for deflecting rebars



High discharge height and offloading rate



User-friendly **control unit**

